

# RACE TECH FORK REBOUND GOLD VALVE

## Sachs Base Plate Adapter

<IPM FRGV 230701 Sachs BPAdapt.doc> © 9-23-19

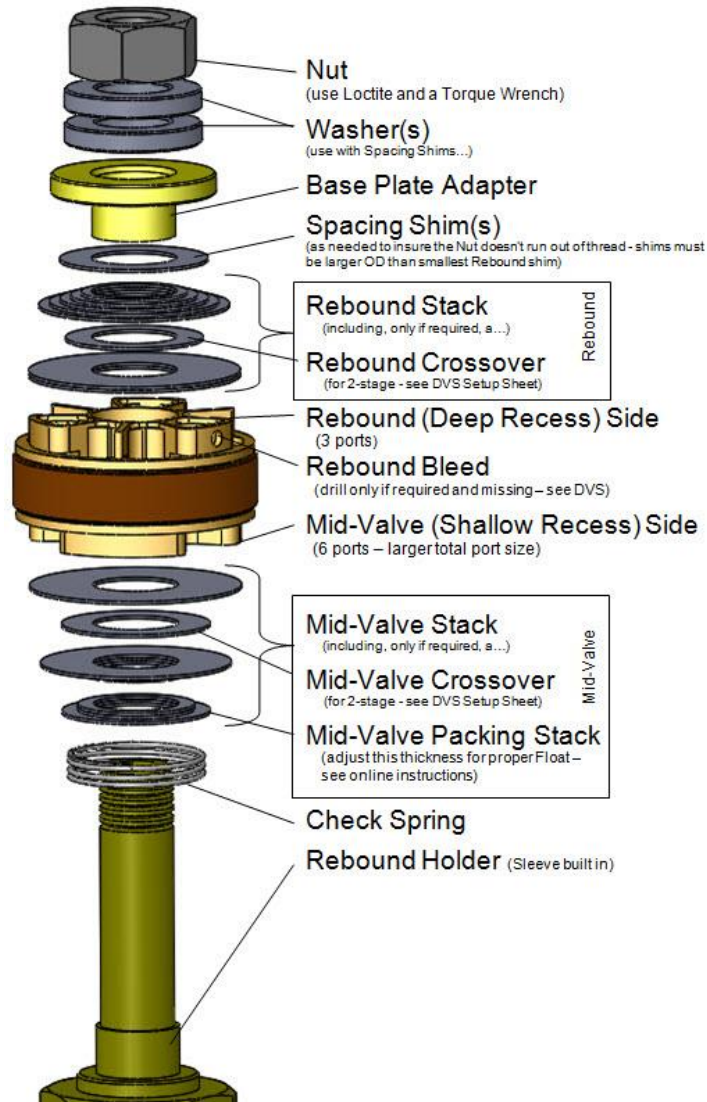
Go to [racetech.com](http://racetech.com)...

**DVS Custom Setup Sheet** – see DVS Valving Search

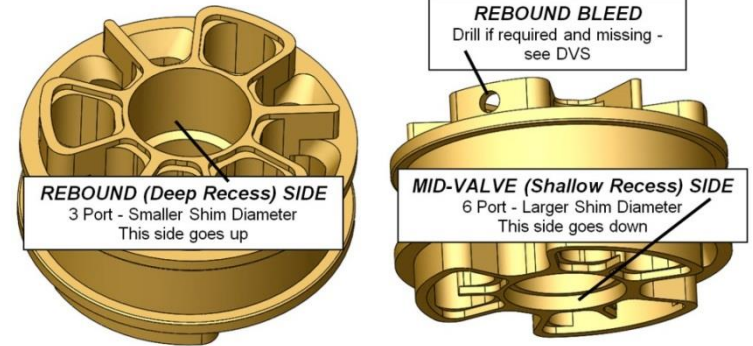
**DVS Rebound Access Code** – attached

**Instructions** – see your bike in Product Search

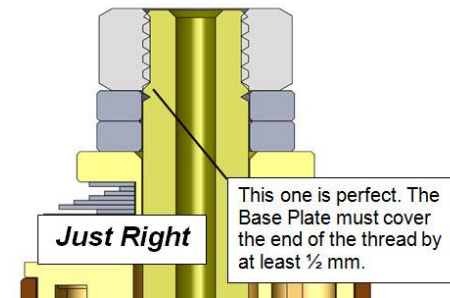
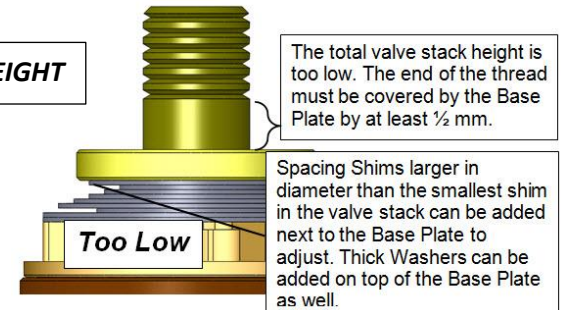
Note: You will have extra shims



**PISTON ORIENTATION** – make sure the correct side is up



**STACK HEIGHT**



**FLOAT**

